

LM555/LM555C Timer

General Description

The LM555 is a highly stable device for generating accurate time delays or oscillation. Additional terminals are provided for triggering or resetting if desired. In the time delay mode of operation, the time is precisely controlled by one external resistor and capacitor. For astable operation as an oscillator, the free running frequency and duty cycle are accurately controlled with two external resistors and one capacitor. The circuit may be triggered and reset on falling waveforms, and the output circuit can source or sink up to 200 mA or drive TTL circuits.

- Adjustable duty cycle
- Output can source or sink 200 mA
- Output and supply TTL compatible
- Temperature stability better than 0.005% per °C
- Normally on and normally off output

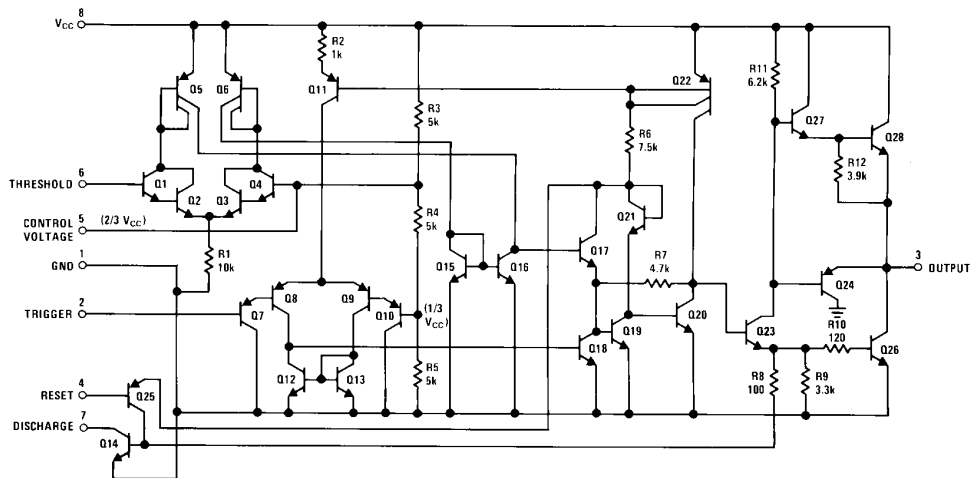
Applications

- Precision timing
- Pulse generation
- Sequential timing
- Time delay generation
- Pulse width modulation
- Pulse position modulation
- Linear ramp generator

Features

- Direct replacement for SE555/NE555
- Timing from microseconds through hours
- Operates in both astable and monostable modes

Schematic Diagram



TL/H/7851-1

Absolute Maximum Ratings

If Military/Aerospace specified devices are required, please contact the National Semiconductor Sales Office/Distributors for availability and specifications.

Supply Voltage	+ 18V
Power Dissipation (Note 1)	
LM555H, LM555CH	760 mW
LM555, LM555CN	1180 mW
Operating Temperature Ranges	
LM555C	0°C to + 70°C
LM555	-55°C to + 125°C

Storage Temperature Range	-65°C to + 150°C
Soldering Information	
Dual-In-Line Package	
Soldering (10 Seconds)	260°C
Small Outline Package	
Vapor Phase (60 Seconds)	215°C
Infrared (15 Seconds)	220°C

See AN-450 "Surface Mounting Methods and Their Effect on Product Reliability" for other methods of soldering surface mount devices.

Electrical Characteristics (T_A = 25°C, V_{CC} = +5V to +15V, unless otherwise specified)

Parameter	Conditions	Limits						Units
		LM555			LM555C			
		Min	Typ	Max	Min	Typ	Max	
Supply Voltage		4.5		18	4.5		16	V
Supply Current	V _{CC} = 5V, R _L = ∞ V _{CC} = 15V, R _L = ∞ (Low State) (Note 2)		3 10	5 12		3 10	6 15	mA mA
Timing Error, Monostable								
Initial Accuracy	R _A = 1k to 100 kΩ, C = 0.1 μF, (Note 3)		0.5			1		%
Drift with Temperature			30			50		ppm/°C
Accuracy over Temperature			1.5			1.5		%
Drift with Supply			0.05			0.1		%/V
Timing Error, Astable								
Initial Accuracy	R _A , R _B = 1k to 100 kΩ, C = 0.1 μF, (Note 3)		1.5			2.25		%
Drift with Temperature			90			150		ppm/°C
Accuracy over Temperature			2.5			3.0		%
Drift with Supply			0.15			0.30		%/V
Threshold Voltage			0.667			0.667		x V _{CC}
Trigger Voltage	V _{CC} = 15V V _{CC} = 5V	4.8 1.45	5 1.67	5.2 1.9		5 1.67		V V
Trigger Current			0.01	0.5		0.5	0.9	μA
Reset Voltage		0.4	0.5	1	0.4	0.5	1	V
Reset Current			0.1	0.4		0.1	0.4	mA
Threshold Current	(Note 4)		0.1	0.25		0.1	0.25	μA
Control Voltage Level	V _{CC} = 15V V _{CC} = 5V	9.6 2.9	10 3.33	10.4 3.8	9 2.6	10 3.33	11 4	V V
Pin 7 Leakage Output High			1	100		1	100	nA
Pin 7 Sat (Note 5)								
Output Low	V _{CC} = 15V, I ₇ = 15 mA		150			180		mV
Output Low	V _{CC} = 4.5V, I ₇ = 4.5 mA		70	100		80	200	mV

Electrical Characteristics $T_A = 25^\circ\text{C}$, $V_{CC} = +5\text{V}$ to $+15\text{V}$, (unless otherwise specified) (Continued)

Parameter	Conditions	Limits						Units
		LM555			LM555C			
		Min	Typ	Max	Min	Typ	Max	
Output Voltage Drop (Low)	$V_{CC} = 15\text{V}$		0.1	0.15		0.1	0.25	V
	$I_{SINK} = 10\text{ mA}$		0.4	0.5		0.4	0.75	V
	$I_{SINK} = 50\text{ mA}$		2	2.2		2	2.5	V
	$I_{SINK} = 100\text{ mA}$		2.5			2.5		V
	$I_{SINK} = 200\text{ mA}$		0.1	0.25		0.25	0.35	V
Output Voltage Drop (High)	$V_{CC} = 5\text{V}$							V
	$I_{SOURCE} = 8\text{ mA}$							V
	$I_{SOURCE} = 5\text{ mA}$							V
Output Voltage Drop (High)	$I_{SOURCE} = 200\text{ mA}$, $V_{CC} = 15\text{V}$	13	12.5		12.75	12.5		V
	$I_{SOURCE} = 100\text{ mA}$, $V_{CC} = 15\text{V}$	3	13.3		2.75	13.3		V
	$V_{CC} = 5\text{V}$		3.3			3.3		V
Rise Time of Output			100			100		ns
Fall Time of Output			100			100		ns

Note 1: For operating at elevated temperatures the device must be derated above 25°C based on a $+150^\circ\text{C}$ maximum junction temperature and a thermal resistance of $164^\circ\text{C}/\text{w}$ (T0-5), $106^\circ\text{C}/\text{w}$ (DIP) and $170^\circ\text{C}/\text{w}$ (S0-8) junction to ambient.

Note 2: Supply current when output high typically 1 mA less at $V_{CC} = 5\text{V}$.

Note 3: Tested at $V_{CC} = 5\text{V}$ and $V_{CC} = 15\text{V}$.

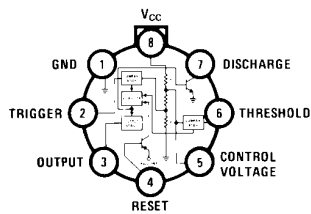
Note 4: This will determine the maximum value of $R_A + R_B$ for 15V operation. The maximum total ($R_A + R_B$) is 20 M Ω .

Note 5: No protection against excessive pin 7 current is necessary providing the package dissipation rating will not be exceeded.

Note 6: Refer to RETS555X drawing of military LM555H and LM555J versions for specifications.

Connection Diagrams

Metal Can Package

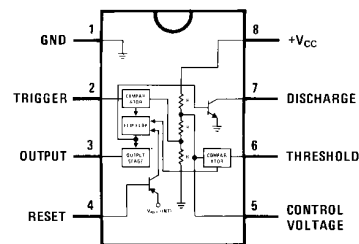


Top View

Order Number LM555H or LM555CH
See NS Package Number H08C

TL/H/7851-2

Dual-In-Line and Small Outline Packages



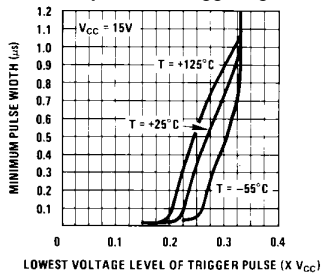
Top View

Order Number LM555J, LM555CJ,
LM555CM or LM555CN
See NS Package Number J08A, M08A or N08E

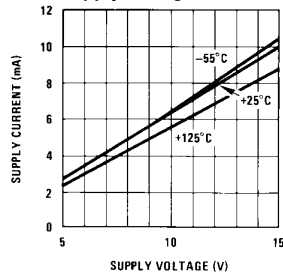
TL/H/7851-3

Typical Performance Characteristics

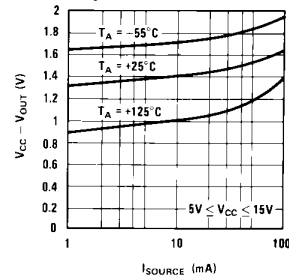
Minimum Pulse Width Required for Triggering



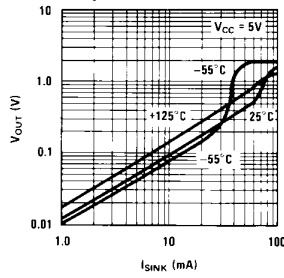
Supply Current vs Supply Voltage



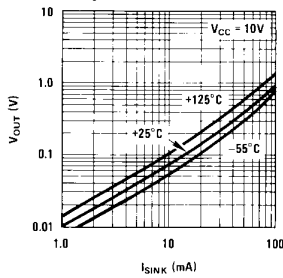
High Output Voltage vs Output Source Current



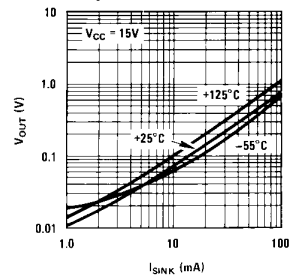
Low Output Voltage vs Output Sink Current



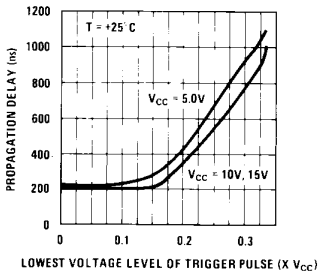
Low Output Voltage vs Output Sink Current



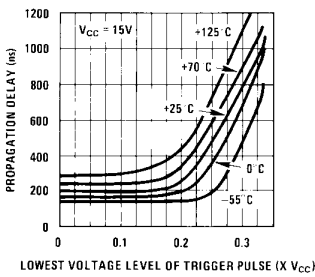
Low Output Voltage vs Output Sink Current



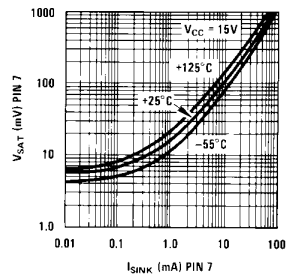
Output Propagation Delay vs Voltage Level of Trigger Pulse



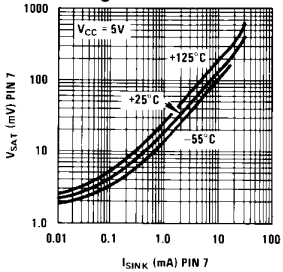
Output Propagation Delay vs Voltage Level of Trigger Pulse



Discharge Transistor (Pin 7) Voltage vs Sink Current



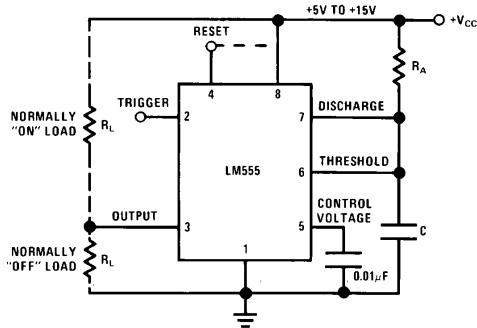
Discharge Transistor (Pin 7) Voltage vs Sink Current



Applications Information

MONOSTABLE OPERATION

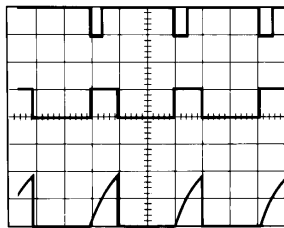
In this mode of operation, the timer functions as a one-shot (Figure 1). The external capacitor is initially held discharged by a transistor inside the timer. Upon application of a negative trigger pulse of less than $1/3 V_{CC}$ to pin 2, the flip-flop is set which both releases the short circuit across the capacitor and drives the output high.



TL/H/7851-5

FIGURE 1. Monostable

The voltage across the capacitor then increases exponentially for a period of $t = 1.1 R_A C$, at the end of which time the voltage equals $2/3 V_{CC}$. The comparator then resets the flip-flop which in turn discharges the capacitor and drives the output to its low state. Figure 2 shows the waveforms generated in this mode of operation. Since the charge and the threshold level of the comparator are both directly proportional to supply voltage, the timing internal is independent of supply.



TL/H/7851-6

$V_{CC} = 5V$
 TIME = 0.1 ms/DIV.
 $R_A = 9.1 k\Omega$
 $C = 0.01 \mu F$

Top Trace: Input 5V/Div.
 Middle Trace: Output 5V/Div.
 Bottom Trace: Capacitor Voltage 2V/Div.

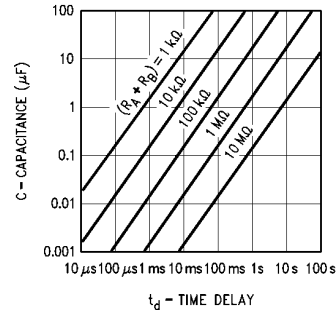
FIGURE 2. Monostable Waveforms

During the timing cycle when the output is high, the further application of a trigger pulse will not effect the circuit so long as the trigger input is returned high at least $10 \mu s$ before the end of the timing interval. However the circuit can be reset during this time by the application of a negative pulse to the reset terminal (pin 4). The output will then remain in the low state until a trigger pulse is again applied.

When the reset function is not in use, it is recommended that it be connected to V_{CC} to avoid any possibility of false triggering.

Figure 3 is a nomograph for easy determination of R, C values for various time delays.

NOTE: In monostable operation, the trigger should be driven high before the end of timing cycle.

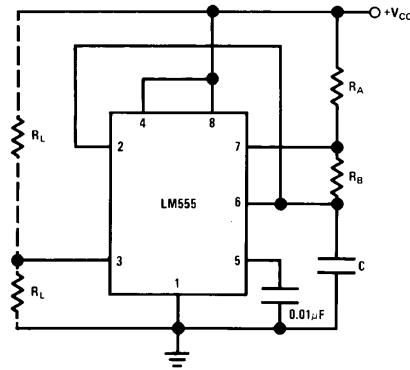


TL/H/7851-7

FIGURE 3. Time Delay

ASTABLE OPERATION

If the circuit is connected as shown in Figure 4 (pins 2 and 6 connected) it will trigger itself and free run as a multivibrator. The external capacitor charges through $R_A + R_B$ and discharges through R_B . Thus the duty cycle may be precisely set by the ratio of these two resistors.



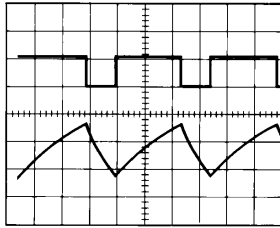
TL/H/7851-8

FIGURE 4. Astable

In this mode of operation, the capacitor charges and discharges between $1/3 V_{CC}$ and $2/3 V_{CC}$. As in the triggered mode, the charge and discharge times, and therefore the frequency are independent of the supply voltage.

Applications Information (Continued)

Figure 5 shows the waveforms generated in this mode of operation.



$V_{CC} = 5V$
 $TIME = 20 \mu s/DIV.$
 $R_A = 3.9 k\Omega$
 $R_B = 3 k\Omega$
 $C = 0.01 \mu F$

Top Trace: Output 5V/Div.
 Bottom Trace: Capacitor Voltage 1V/Div.

TL/H/7851-9

FIGURE 5. Astable Waveforms

The charge time (output high) is given by:

$$t_1 = 0.693 (R_A + R_B) C$$

And the discharge time (output low) by:

$$t_2 = 0.693 (R_B) C$$

Thus the total period is:

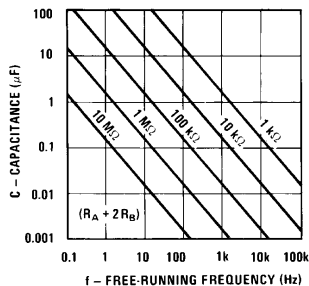
$$T = t_1 + t_2 = 0.693 (R_A + 2R_B) C$$

The frequency of oscillation is:

$$f = \frac{1}{T} = \frac{1.44}{(R_A + 2R_B) C}$$

Figure 6 may be used for quick determination of these RC values.

The duty cycle is: $D = \frac{R_B}{R_A + 2R_B}$

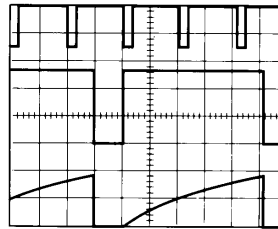


TL/H/7851-10

FIGURE 6. Free Running Frequency

FREQUENCY DIVIDER

The monostable circuit of Figure 1 can be used as a frequency divider by adjusting the length of the timing cycle. Figure 7 shows the waveforms generated in a divide by three circuit.



$V_{CC} = 5V$
 $TIME = 20 \mu s/DIV.$
 $R_A = 9.1 k\Omega$
 $C = 0.01 \mu F$

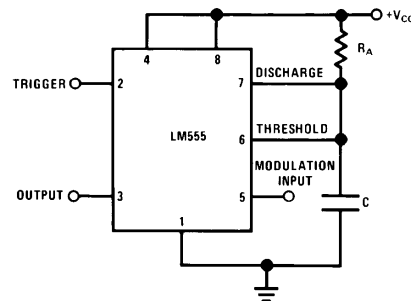
Top Trace: Input 4V/Div.
 Middle Trace: Output 2V/Div.
 Bottom Trace: Capacitor 2V/Div.

TL/H/7851-11

FIGURE 7. Frequency Divider

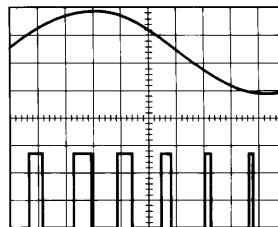
PULSE WIDTH MODULATOR

When the timer is connected in the monostable mode and triggered with a continuous pulse train, the output pulse width can be modulated by a signal applied to pin 5. Figure 8 shows the circuit, and in Figure 9 are some waveform examples.



TL/H/7851-12

FIGURE 8. Pulse Width Modulator



$V_{CC} = 5V$
 $TIME = 0.2 ms/DIV.$
 $R_A = 9.1 k\Omega$
 $C = 0.01 \mu F$

Top Trace: Modulation 1V/Div.
 Bottom Trace: Output Voltage 2V/Div.

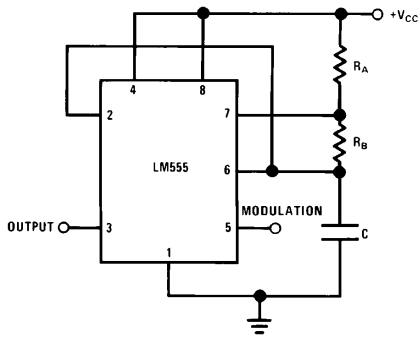
TL/H/7851-13

FIGURE 9. Pulse Width Modulator

PULSE POSITION MODULATOR

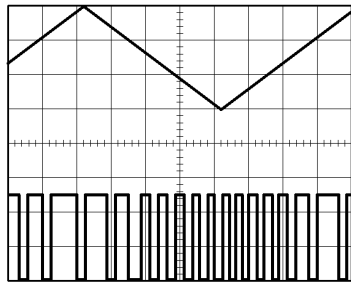
This application uses the timer connected for astable operation, as in Figure 10, with a modulating signal again applied to the control voltage terminal. The pulse position varies with the modulating signal, since the threshold voltage and hence the time delay is varied. Figure 11 shows the waveforms generated for a triangle wave modulation signal.

Applications Information (Continued)



TL/H/7851-14

FIGURE 10. Pulse Position Modulator



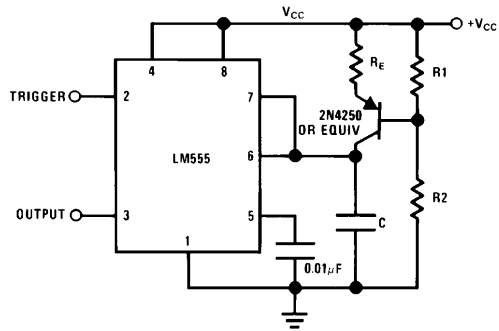
TL/H/7851-15

$V_{CC} = 5V$
 TIME = 0.1 ms/DIV. Top Trace: Modulation Input 1V/Div.
 $R_A = 3.9 k\Omega$ Bottom Trace: Output 2V/Div.
 $R_B = 3 k\Omega$
 $C = 0.01 \mu F$

FIGURE 11. Pulse Position Modulator

LINEAR RAMP

When the pullup resistor, R_A , in the monostable circuit is replaced by a constant current source, a linear ramp is generated. Figure 12 shows a circuit configuration that will perform this function.



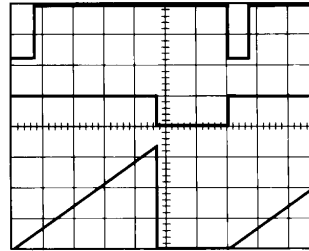
TL/H/7851-16

FIGURE 12

Figure 13 shows waveforms generated by the linear ramp. The time interval is given by:

$$T = \frac{2/3 V_{CC} R_E (R_1 + R_2) C}{R_1 V_{CC} - V_{BE} (R_1 + R_2)}$$

$$V_{BE} \approx 0.6V$$



TL/H/7851-17

$V_{CC} = 5V$
 TIME = 20 μs/DIV. Top Trace: Input 3V/Div.
 $R_1 = 47 k\Omega$ Middle Trace: Output 5V/Div.
 $R_2 = 100 k\Omega$ Bottom Trace: Capacitor Voltage 1V/Div.
 $R_E = 2.7 k\Omega$
 $C = 0.01 \mu F$

FIGURE 13. Linear Ramp

50% DUTY CYCLE OSCILLATOR

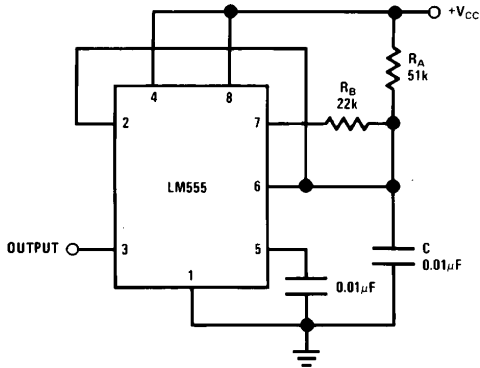
For a 50% duty cycle, the resistors R_A and R_B may be connected as in Figure 14. The time period for the out-

Applications Information (Continued)

put high is the same as previous, $t_1 = 0.693 R_A C$. For the output low it is $t_2 =$

$$\left[\frac{R_A R_B}{(R_A + R_B)} \right] C \ln \left[\frac{R_B - 2R_A}{2R_B - R_A} \right]$$

Thus the frequency of oscillation is $f = \frac{1}{t_1 + t_2}$



TL/H/7851-18

FIGURE 14. 50% Duty Cycle Oscillator

Note that this circuit will not oscillate if R_B is greater than $1/2 R_A$ because the junction of R_A and R_B cannot bring pin 2 down to $1/3 V_{CC}$ and trigger the lower comparator.

ADDITIONAL INFORMATION

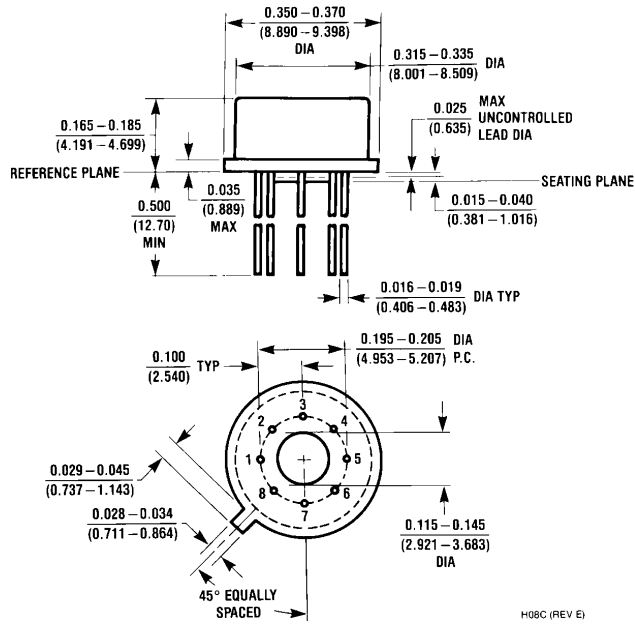
Adequate power supply bypassing is necessary to protect associated circuitry. Minimum recommended is $0.1 \mu\text{F}$ in parallel with $1 \mu\text{F}$ electrolytic.

Lower comparator storage time can be as long as $10 \mu\text{s}$ when pin 2 is driven fully to ground for triggering. This limits the monostable pulse width to $10 \mu\text{s}$ minimum.

Delay time reset to output is $0.47 \mu\text{s}$ typical. Minimum reset pulse width must be $0.3 \mu\text{s}$, typical.

Pin 7 current switches within 30 ns of the output (pin 3) voltage.

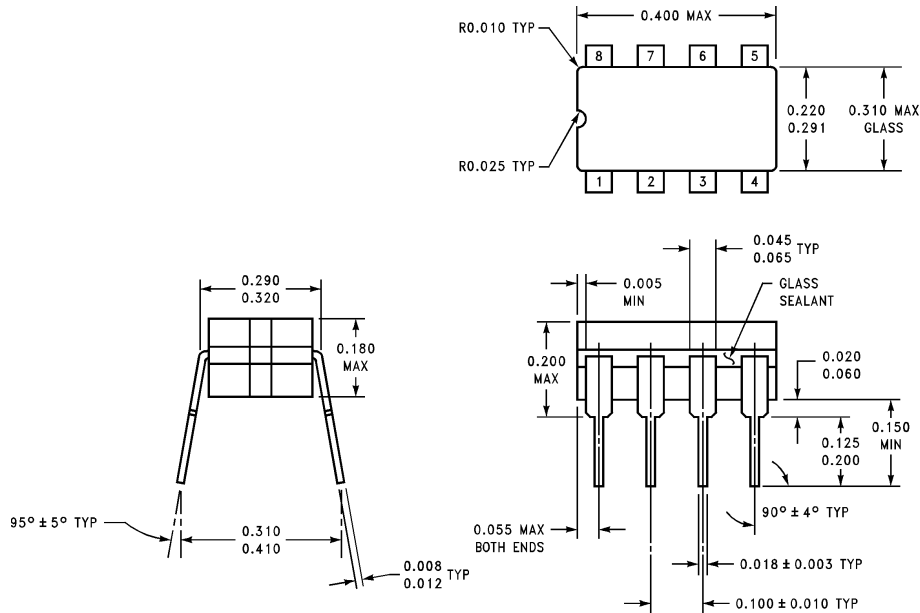
Physical Dimensions inches (millimeters)



Metal Can Package (H)
Order Number LM555H or LM555CH
NS Package Number H08C

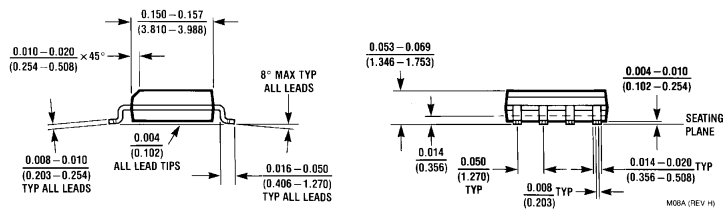
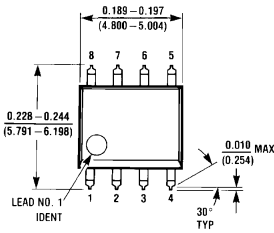
H08C (REV E)

Physical Dimensions inches (millimeters) (Continued)



Ceramic Dual-In-Line Package (J)
Order Number LM555J or LM555CJ
NS Package Number J08A

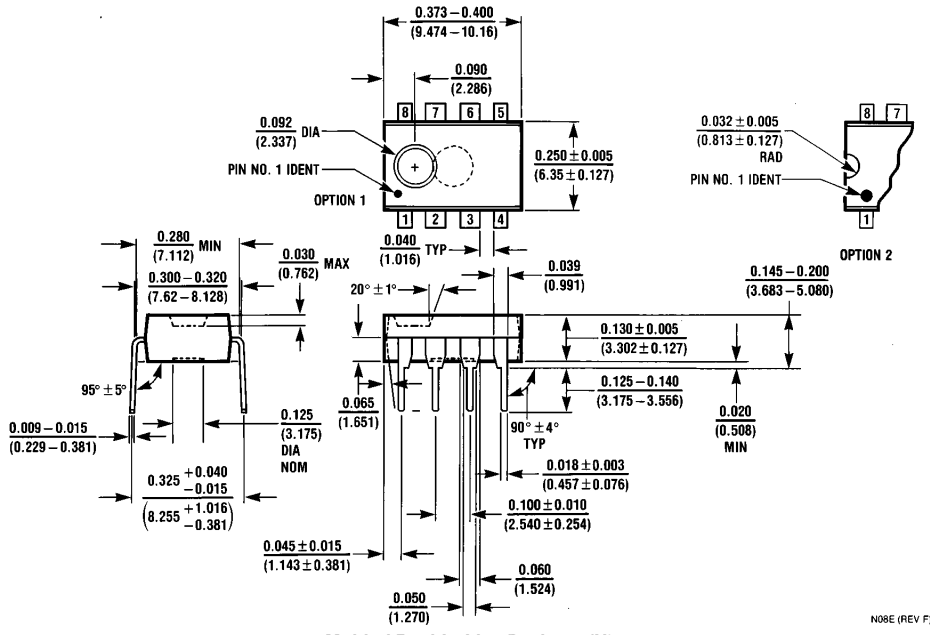
J08A (REV K)



Small Outline Package (M)
Order Number LM555CM
NS Package Number M08A

M08A (REV H)

Physical Dimensions inches (millimeters) (Continued)




Molded Dual-In-Line Package (N)
Order Number LM555CN
NS Package Number N08E

LIFE SUPPORT POLICY

NATIONAL'S PRODUCTS ARE NOT AUTHORIZED FOR USE AS CRITICAL COMPONENTS IN LIFE SUPPORT DEVICES OR SYSTEMS WITHOUT THE EXPRESS WRITTEN APPROVAL OF THE PRESIDENT OF NATIONAL SEMICONDUCTOR CORPORATION. As used herein:

1. Life support devices or systems are devices or systems which, (a) are intended for surgical implant into the body, or (b) support or sustain life, and whose failure to perform, when properly used in accordance with instructions for use provided in the labeling, can be reasonably expected to result in a significant injury to the user.
2. A critical component is any component of a life support device or system whose failure to perform can be reasonably expected to cause the failure of the life support device or system, or to affect its safety or effectiveness.

 <p>National Semiconductor Corporation 1111 West Bardin Road Arlington, TX 76017 Tel: 1(800) 272-9959 Fax: 1(800) 737-7018</p>	<p>National Semiconductor Europe Fax: (+49) 0-180-530 85 86 Email: cnjwge@tevm2.nsc.com Deutsch Tel: (+49) 0-180-530 85 85 English Tel: (+49) 0-180-532 78 32 Français Tel: (+49) 0-180-532 93 58 Italiano Tel: (+49) 0-180-534 16 80</p>	<p>National Semiconductor Hong Kong Ltd. 19th Floor, Straight Block, Ocean Centre, 5 Canton Rd. Tsimshatsui, Kowloon Hong Kong Tel: (852) 2737-1600 Fax: (852) 2736-9960</p>	<p>National Semiconductor Japan Ltd. Tel: 81-043-299-2309 Fax: 81-043-299-2408</p>
------------------------------------------------------------------------------------------------------------------------------------------------------------------------------------------------------------------------------------------------------------------------------	--------------------------------------------------------------------------------------------------------------------------------------------------------------------------------------------------------------------------------------------------------------------------------------------------------------------------------	-------------------------------------------------------------------------------------------------------------------------------------------------------------------------------------------------------------------------------------------------------------------	---------------------------------------------------------------------------------------------------------------------

National does not assume any responsibility for use of any circuitry described, no circuit patent licenses are implied and National reserves the right at any time without notice to change said circuitry and specifications.